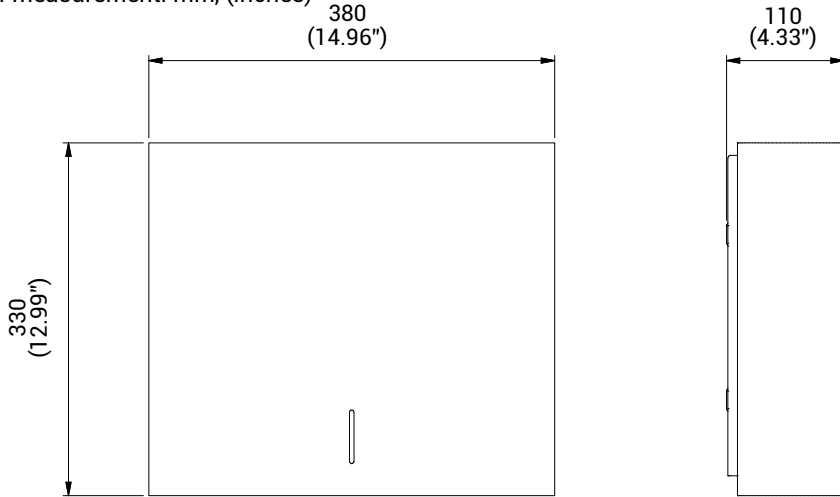


## DIMENSIONS AND TECHNICAL SPECIFICATIONS

### Dimensions

Unit of measurement: mm, (inches)



## TECHNICAL SPECIFICATIONS

| DESCRIPTION  | DATA   |
|--------------|--|
| Material     | Powder coated stainless steel                    |
| Capacity     | Approx. 180 pcs. 3-ply Z/W/C-folded paper towels |
| Paper towels | Max 85x260 mm, (3.35" x 10.24")                  |
| Net weight   | 5,1 kg, 112.44 lbs (excl. paper)                 |

## PRODUCT TYPE / MODEL

|      |                                |
|------|--------------------------------|
| 3340 | RAL 9003, white, gloss 75      |
| 3345 | RAL 9005, matt black, gloss 10 |
| 3348 | Optional RAL CLASSIC colours   |



## USER MANUAL

### BJÖRK PAPER TOWEL DISPENSER

Model: 3340/3345/3348

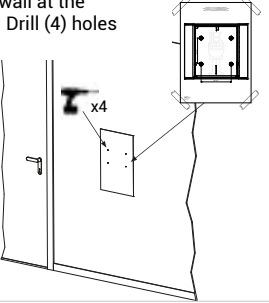
**DAN DRYER A/S**  
Tåsingevej 2  
DK - 8940 Randers SV  
T: +45 8641 5711  
E: [info@dandryer.dk](mailto:info@dandryer.dk)  
W: [dandryer.dk](http://dandryer.dk)

## GENERAL SAFETY INFORMATION

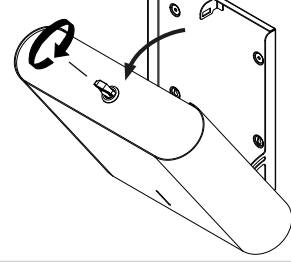
This product is not intended for use by persons (inclusive children) with reduced physical, sensory or mental capabilities, or lack of experience and knowledge, unless they are supervised or have been given instruction concerning use of the product by a person responsible for their safety. Children should be supervised to ensure this product is used correctly.

## INSTALLATION

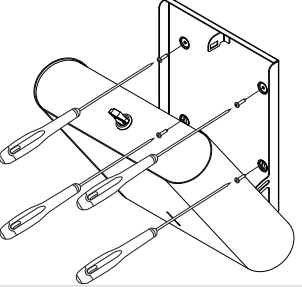
1. Place the mounting template on the wall at the desired location. Drill (4) holes as indicated.



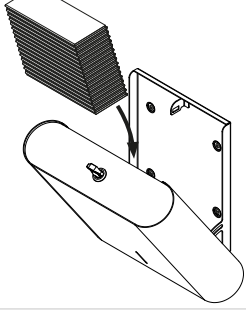
2. Open the paper towel dispenser with the enclosed square key by turning the lock at the top of the dispenser.



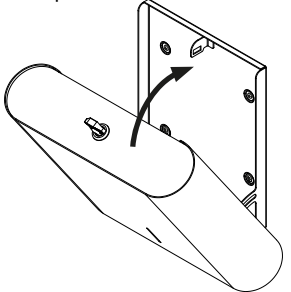
3. Attach the dispenser base plate to the wall with suitable screws. Watch mounting template.



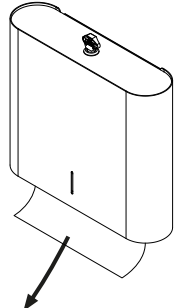
4. Place paper towels in the dispenser.



5. Close the dispenser again by pushing the casing back into place.



5. The paper towel dispenser is now ready for use.

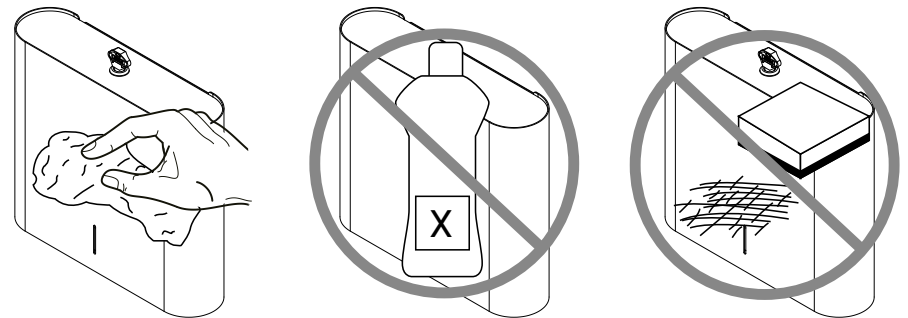


## USER GUIDE

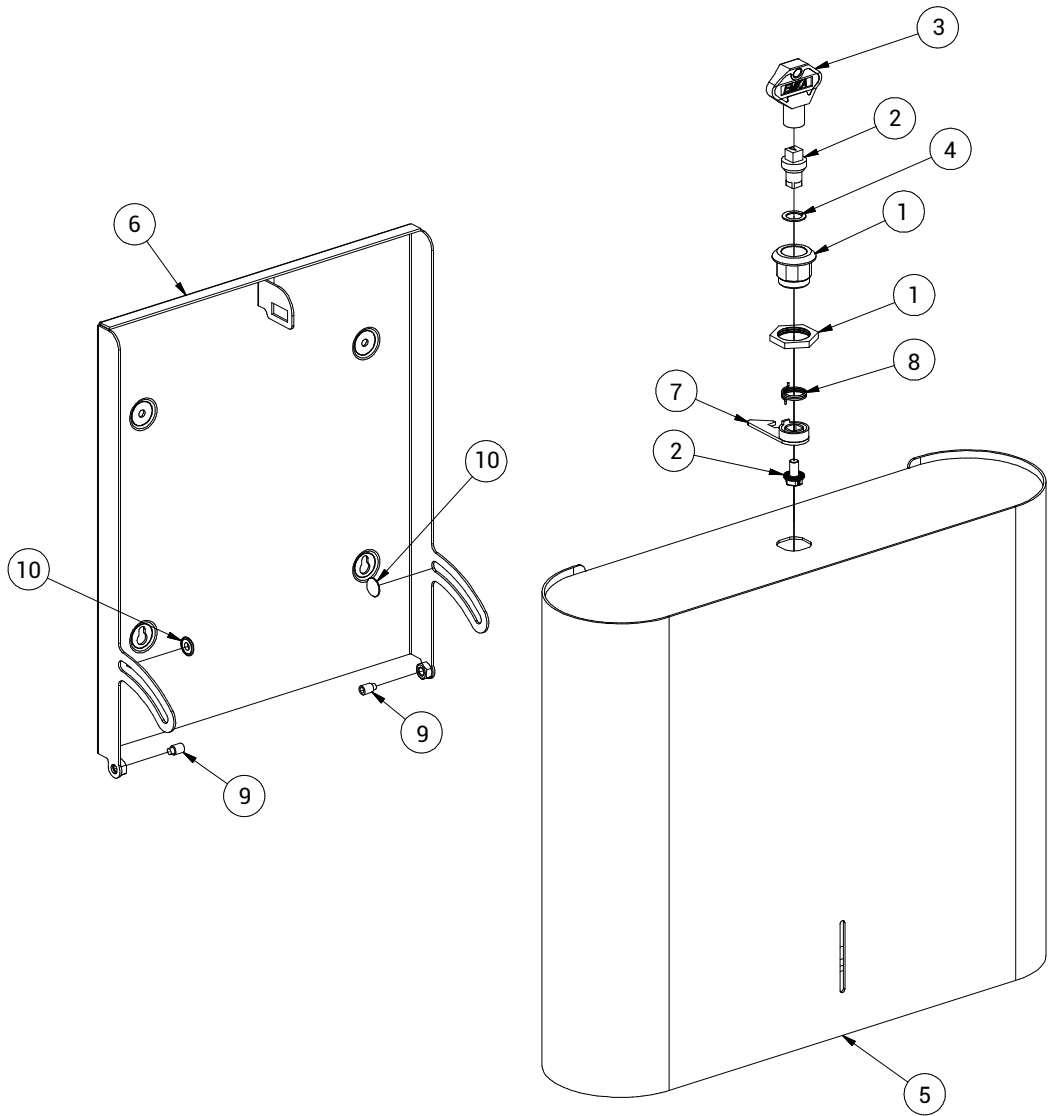
1. Shake excess water from hands.
2. Take one sheet of paper and place it onto one of your hands.
3. Place the back of the other hand on top of the sheet and move your hand across the paper.
4. Turn the same hand with the palm down against the sheet and move your hand across the paper.
5. Turn the sheet around and repeat section 3 and 4 with your first hand.
6. Repeat the process with a new sheet, if your hands are not entirely dry.

## CLEANING AND MAINTENANCE

- Clean the interior of the dryer and remove any dust. If necessary, use an air compressor.
- Do not soak.
- Use a damp cloth and mild cleaning solution. Never use cleaning detergents with an abrasive effect.



# COMPONENT OVERVIEW



| NO. | DESCRIPTION                 | NO. | DESCRIPTION                 |
|-----|-----------------------------|-----|-----------------------------|
| 1   | Lock with nut               | 6   | Base plate complete         |
| 2   | Insert for square key       | 7   | Locking pawl for BJÖRK      |
| 3   | Square key, black polyamide | 8   | Spring for lock             |
| 4   | Plastic disc for lock       | 9   | Grub screw with point M6x10 |
| 5   | Casing                      | 10  | Capped Starlock Ø5          |